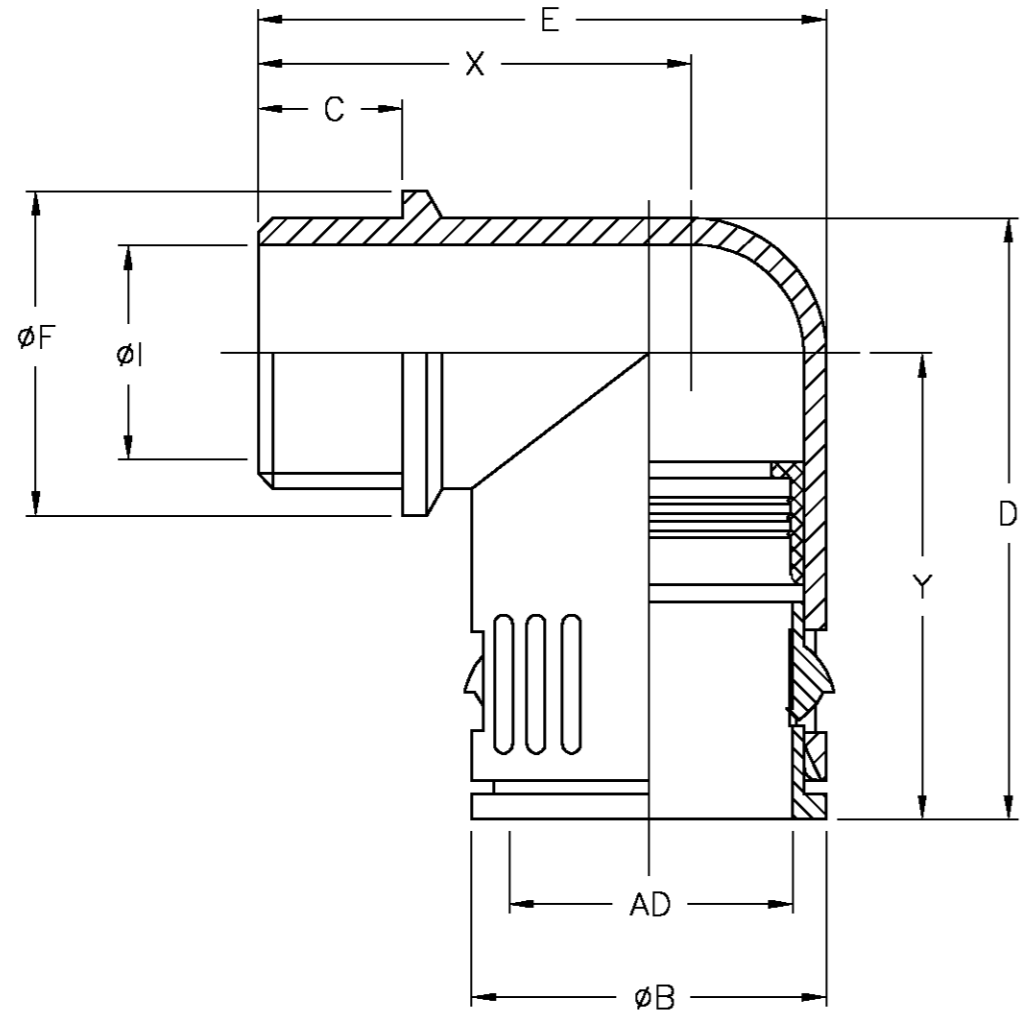


THIS DRAWING IS UNPUBLISHED. RELEASED FOR PUBLICATION
 © COPYRIGHT BY TYCO ELECTRONICS CORPORATION. ALL RIGHTS RESERVED.

LOC	DIST	REVISIONS					
FT	0	P	LTR	DESCRIPTION	DATE	DWN	APVD
		B		REVISED PER 0G3B-0979-03	12/9/03	SS	SH



- 1 Material: PA
- 2 Color: BLACK
- 3 Color: GRAY
- 4 DIN 16901-140

7.00	5	76.8	78.8	66.0	90.0	88.0	21.0	66.0	48.5	2"	54.5	GRAY	3-796254-1	
6.70	5	76.8	75.8	64.0	87.0	88.0	18.0	64.0	48.5	1 1/2"	54.5	GRAY	3-796254-0	
5.50	10	71.8	64.8	54.0	76.0	83.0	18.0	54.0	36.5	1 1/2"	42.5	GRAY	2-796254-9	
5.10	10	71.8	64.8	52.0	76.0	83.0	18.0	52.0	36.5	1 1/4"	42.5	GRAY	2-796254-8	
5.60	10	56.3	51.8	43.0	63.0	67.5	16.0	44.0	28.0	1"	34.5	GRAY	2-796254-7	
2.80	25	46.3	44.8	34.0	56.0	57.5	14.0	37.0	21.0	3/4"	28.5	GRAY	2-796254-6	
1.60	50	38.8	35.8	27.0	47.0	50.0	12.0	29.5	16.0	1/2"	21.2	GRAY	2-796254-5	
1.10	50	30.8	29.3	26.0	40.5	42.0	12.0	26.0	16.0	1/2"	15.8	GRAY	2-796254-4	
0.80	50	30.8	29.3	23.0	40.5	42.0	12.0	23.0	12.5	3/8"	15.8	GRAY	2-796254-3	
0.60	50	24.8	24.8	20.0	36.0	36.0	11.5	20.0	10.0	1/4"	13.0	GRAY	2-796254-2	
0.40	50	22.3	20.8	16.0	32.0	33.5	10.0	17.0	8.5	1/4"	10.0	GRAY	2-796254-1	
7.00	5	76.8	78.8	66.0	90.0	88.0	21.0	66.0	48.5	2"	54.5	BLACK	1-796254-1	
6.70	5	76.8	75.8	64.0	87.0	88.0	18.0	64.0	48.5	1 1/2"	54.5	BLACK	1-796254-0	
5.50	10	71.8	64.8	54.0	76.0	83.0	18.0	54.0	36.5	1 1/2"	42.5	BLACK	796254-9	
5.10	10	71.8	64.8	52.0	76.0	83.0	18.0	52.0	36.5	1 1/4"	42.5	BLACK	796254-8	
5.60	10	56.3	51.8	43.0	63.0	67.5	16.0	44.0	28.0	1"	34.5	BLACK	796254-7	
2.80	25	46.3	44.8	34.0	56.0	57.5	14.0	37.0	21.0	3/4"	28.5	BLACK	796254-6	
1.60	50	38.8	35.8	27.0	47.0	50.0	12.0	29.5	16.0	1/2"	21.2	BLACK	796254-5	
1.10	50	30.8	29.3	26.0	40.5	42.0	12.0	26.0	16.0	1/2"	15.8	BLACK	796254-4	
0.80	50	30.8	29.3	23.0	40.5	42.0	12.0	23.0	12.5	3/8"	15.8	BLACK	796254-3	
0.60	50	24.8	24.8	20.0	36.0	36.0	11.5	20.0	10.0	1/4"	13.0	BLACK	796254-2	
0.40	50	22.3	20.8	16.0	32.0	33.5	10.0	17.0	8.5	1/4"	10.0	BLACK	796254-1	
Approx. Weight kg/100p	Packaging Unit 4	Y	X	phi F	E	D	C	phi B	phi I	NPT	AD	Color	Part Number	
		mm	mm	mm	mm	mm	mm	mm	mm	mm	Thread			Trade Size
		DIM	DIM	Flange phi	Total Height	Total Length	Length of Thread	Largest Outer-phi	Smallest Inner-phi	Thread	Tubing Outer-phi			

THIS DRAWING IS A CONTROLLED DOCUMENT.

DWN	S SCHLEGEL	09DEC03	Tyco Electronics Corporation City, State, Zip
CHK	S SCHLEGEL	12/9/03	
APVD	S SCHLEGEL	12/9/03	
PRODUCT SPEC	NAME		
APPLICATION SPEC	RIGHT ANGLE CONNECTION CORRUGATED TUBING		RESTRICTED TO
WEIGHT	A2 00779 C=796254		SCALE NTS SHEET 1 OF 1 REV B
CUSTOMER DRAWING			

DIMENSIONS: MM
 TOLERANCES UNLESS OTHERWISE SPECIFIED:
 0 PLC ± -
 1 PLC ± -
 2 PLC ± -
 3 PLC ± -
 4 PLC ± -
 ANGLES ± -
 FINISH -